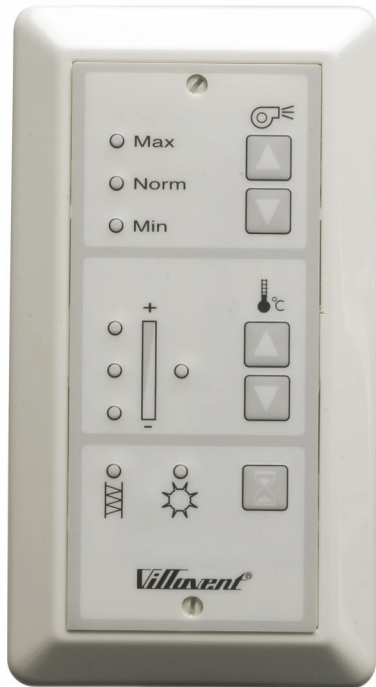


## Accessories

### Control panel, type CE



- **Functional and easy to operate, for choice of airflow and supply air temperature**
- **Discreet lamp indicators show chosen settings, heater battery and defrosting in operation, summer operation and time for filter change**
- **Commissioning of airflow on normal ventilation and operation time between filter changes**
- **Alarm menu**
- **Free choice between connection via modular plugs or terminal block**

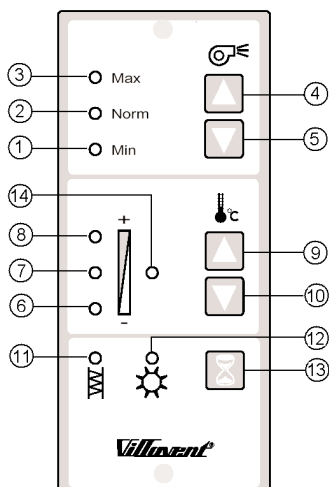


The automatic control functions are mounted inside all Villavent-models. On the wall models the control panel is integrated in the front. Separate control panel, type CE, is supplied in connection with the traditional E-models and also for remote control of all wall models with integrated control panel.

All models can be operated from one or more remote CE control panels. The CE control panel is elegant, functional and easy to operate, with handy buttons for choice of airflow and supply air temperature. Discreet lamp indicators show chosen settings, re-heater battery or defrosting in operation and that filters need to be changed. On units with automatic change between normal operation with heat recovery and summer operation without heat recovery, lamp signal will indicate summer operation. Commissioning of airflow on normal ventilation, choice of service intervals between filter changes and override of separate timer, if installed, can also be made from the control panel. Alarm menu will show possible operation malfunctions.

The control panel, type CE, can be installed flush in wall box (L404) or on the wall (frame L676). When installed on the wall, the panel will only build 20 mm from the wall. For 12V signal between control panel and unit, complete cable (6,0 or 12,0 m) with modular/tele plugs is available, or alternatively 4-leads for connection between terminal blocks on the control panel and in junction box inside the unit. Twin plugs are available for connection of more than one remote control panel.

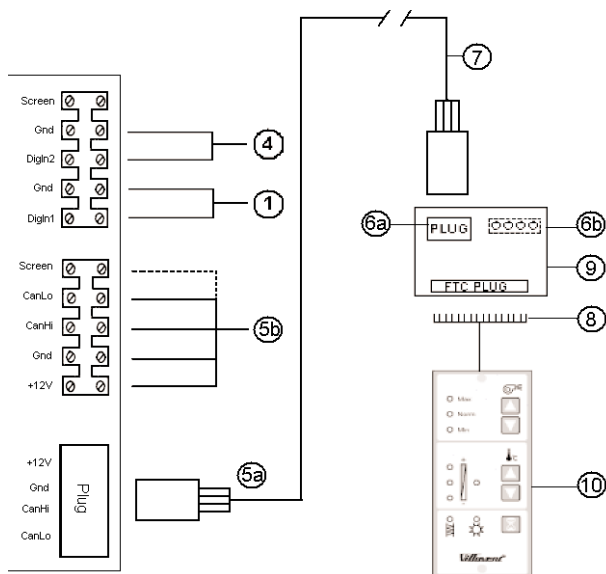
## Operation



- ① ② ③ Lamp indicators airflow
- ④ ⑤ Buttons airflow
- ⑥ ⑦ ⑧ Lamp indicators supply air temperature
- ⑨ ⑩ Buttons supply air temperature
- ⑪ Lamp indicator filter change
- ⑫ Lamp indicator summer operation\*
- ⑬ Button for override of week timer/ reset of operation time after filter change
- ⑭ Lamp indicator heater battery in operation / Flashing light = Defrosting in operation

\* Only VR-400/-700 EV and VX-400 EV/B

## Electrical connection between control panel and unit



### Unit

- ① Connection to cookerhood (only VX-400 EV/B)
- ④ Connection to week timer (if installed)
- ⑤a Modular/tele plug for connection to CE control panel
- ⑤b Terminal block for alternative connection of CE control panel

### Control panel

- ⑥a Modular/tele plug
- ⑥b Terminal block for alternative connection to unit
- ⑦ 4-lead signal cable, 12V (screened cable for use in areas with risk of EMC noise)
- ⑧ Flat cable
- ⑨ Print card
- ⑩ Control panel