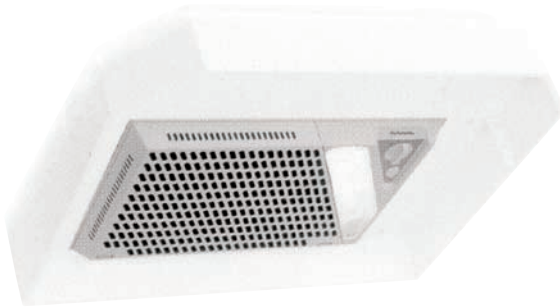


480-17, 480-10/B



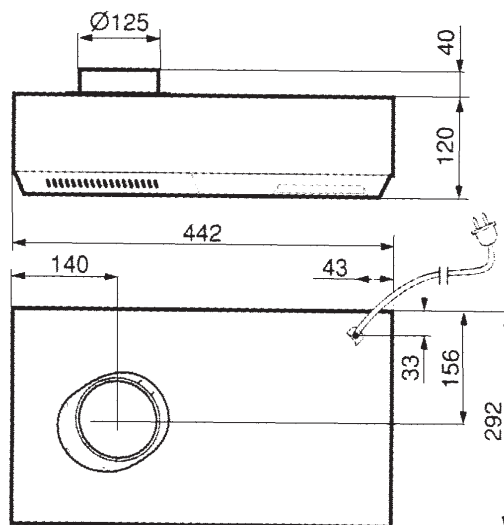
Villavent built-in cookerhood, type 480-17 is a flexible model with favourable outer dimensions. The cookerhood is designed for installation in free hanging or wall mounted canopies. The provided mounting frame ensures simple and safe installation.

A patented, adjustable damper solution with measuring outlet allows for adjustment of extract airflow for basic ventilation. The cookerhood is equipped with transformer for fan speed control (extract fan) in 3 steps.

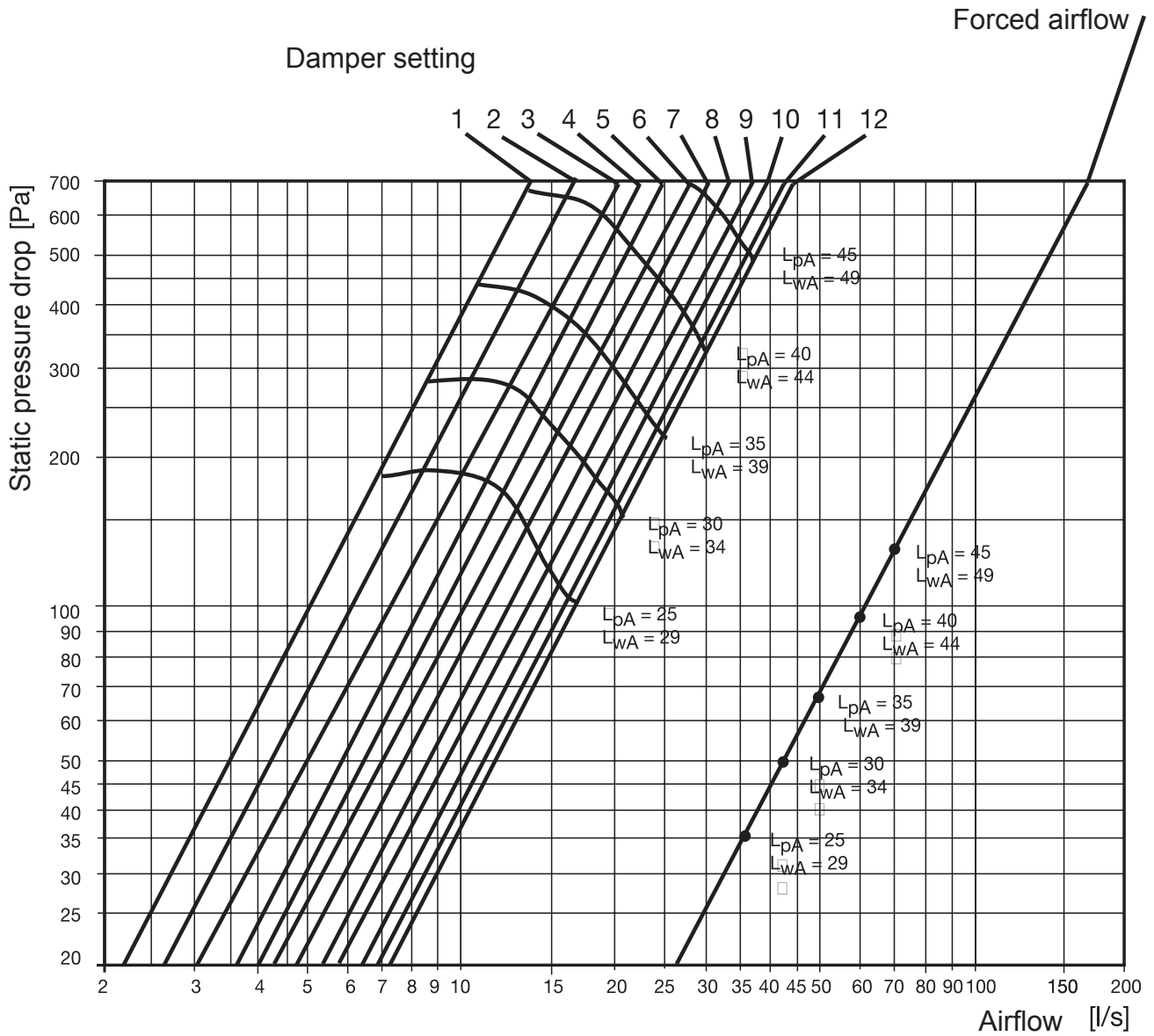
Control panel with combined switch for damper control and fan speed, as well as integrated light switch on the underside of the hood.

Villavent built-in cookerhood, type 480-10/B has the same design as model 480-17, but is developed for connection to Villavent heat recovery units type VR-250 EH/B and VR-400 EV/B, as well as central extract systems for apartment blocks. The cookerhood is equipped with switch to open the damper, between 5 and 60 minutes (timer).

Max. fan power attached:	300 W
Light:	11 W compact light tube, socket G23
Voltage:	230 V, 50 Hz
Control: (480-17)	3-step (transformer: 60/80/100, 130/145 and 230 V). 100 and 145 V are possible alternatives (re-wiring on transformer)
Duct connection:	Ø125 mm
Width:	453 x 298 mm



Damper solution; 251-16, 251-10/B, 480-17 and 490-16



L_{pA} = A-filter adjusted sound pressure level at 10 m² Sabine
 L_{wA} = -filter adjusted power level at 1 pW